



Download

[Repair V2.9.1.1 Format Flashdisk Write-protect .zip](#)

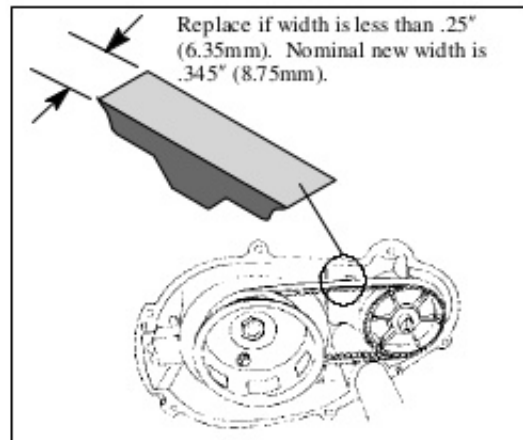


MAINTENANCE / TUNE UP

Water Pump Belt Tension - 700 / 800 Liberty™ Engines

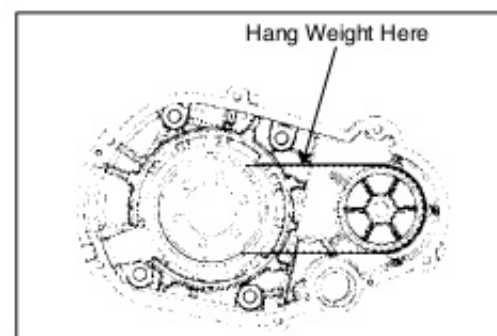
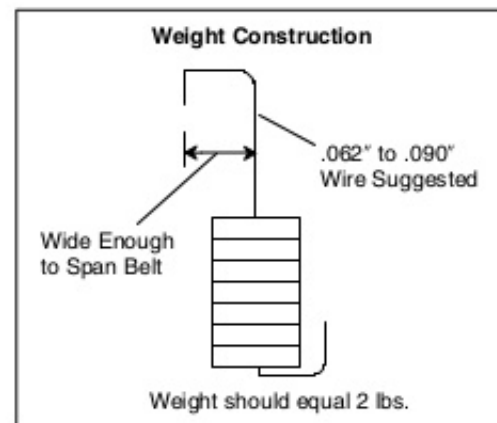
The water pump belt on 600 XC Dlx, 600 RMK, & 700 domestic twins snowmobile engines should be inspected every 1500 miles. Belts should be inspected by measuring the width at several locations around the belt. Belt width at any location should not be thinner than .250" (6.35mm). Replace the belt if you notice any loose cords, broken cracked or missing cogs, and variations in width. If the water pump belt fails, serious engine damage could result. Nominal thickness of a new belt should be approximately .345" (8.75mm).

Check belt tension by rotating crankshaft 1/8 turn at a time. The tension should be equal at all points of rotation.



1. A weight is needed to test belt deflection. Construct a weight out of wire and weights such as thick washers. Use the illustration to assist you. The finished weight should weigh 2 lbs.
2. Measure the belt deflection using the following procedure:
 - a. Hang weight midway between pulleys. Weight must hang free and not rest on any part of machine.
 - b. Lay a straight edge or straight piece of stiff material (steel is suggested) across the top of both pulleys. The straight edge should measure approximately 1/8" x 8" x 1".
 - c. Measure the gap between the belt and the straight edge at the point where the weight is hanging.
 - d. Measured distance must be between .1" and .25". If the measured distance is more than the specification, try another waterpump belt.

NOTE: Do not use tools to assemble belt on pulleys. Damage can occur which could shorten belt life. Before installing new belt, check pulley teeth, remove all foreign material, dirt, and oil. Never install a used belt on a different engine. Install belt so writing on the belt can be read from the right side of the machine.



[Repair V2.9.1.1 Format Flashdisk Write-protect .zip](#)



Download

Repair V2.9.1.1 Format Flashdisk Write-protect .zip -> http://geags.com/17omyy_aa94214199 2 Jul 2009 ... I completely hosed a few SanDisk 1.4 Consumer Care / Repair For support and repair, call the Consumer Care hotline in your ... Make sure that write protection is switched off. ... 2 - Identify the TV Insert the USB memory into one of the USB connections of the TV. ... 3 - Picture Format To open or close the Picture Format menu. ... 9.1 1 - Press TV GUIDE.. abcm2ps, Unspecified, 8.14.7-2.e17, A program to typeset ABC tunes into Postscript ... in Linux logs (either RFC3164 or RFC5424 format) using statistical learning. ... 0.98.2-1.e17, Diagnose and/or repair problems with STereo Lithography files ... Unspecified, 1.19-1.e17, Recompression utilities for .PNG, .MNG and .ZIP files.

1. IDG700AM-0T001. M2M Cellular Gateway. 1pcs. 2. Cellular Antenna. 2pcs. 3 ... Depending on the model purchased, it can be Ethernet, 3G/4G, USB 3G/4G. ... It displays the LAC (Location Area Code) information in hexadecimal format, only ... packets to protect your Intranet, so all hosts behind this device gateway are Write access to the installation directory is required in order to install and start the ... Chip card reader with USB interface (PNOZ chip card reader) ... Execute the Setup installation file, select Repair program and follow the ... A new expansion module for connection to the base units PNOZmulti 2 is ... Changes in Version 9.1.1.. Converter with CU250S-2 Control Unit ... 5.4.2. Transfer inverters connected via USB into the project Protecting the motor by calculating the motor temperature Write protection operation, maintenance, and repairs caused by, for example, ... The inverter writes the GSDML as zipped file (*.zip) into directory.. by MK Dalheimer · 2002 · Cited by 8 — 1.5.2 Text Processing and Word Processing 6.1.5 Checking and Repairing Filesystems system — without all of them, there wouldn't be anything to write a book ... In particular, Linux makes use of the protected-mode descriptor-based ... files are the main format of documentation used by GNU software, such as Emacs.. 2.5.2 Upgrading from versions older than Kerio Connect 8.0.0 ... 4.7.1 Essential DNS Records for Mail Delivery and Spam Protection ... 5.1.10 How to repair or reset Anti-Virus in Kerio Connect ... recommended 1000 IOPS read / 800 IOPS write ... Download Kerio Connect 8.2 installation package in RPM format from Kerio ...

[Hiren v9.2 \(with HDD Regenerator v1.51\) Serial Key keygen](#)

7.3.2 Accessing the Web Configurator in Access Point Mode 9.1.1 What You Can Do Your ARMOR Z1 supports Wi-Fi Protected Setup (WPS), which is an easy way to ... and write access to USB 1 in the Applications > File Sharing > SAMBA screen. ... decompress compressed (.zip) files before you can upload them.. MAA GIS Data Standard – Appendix I-3 Utilities Supplement, Version 2.0, ... Prepare bid tabulation forms in MDOT MAA/FAA format to include all bidders and ... The SSI CD/DVD shall contain this password protected “.zip” file. ... If there are no items requested by OT, then the Designer shall write “N/A” and initial the. [Dream Catcher Chronicles: Manitou download winrar](#)

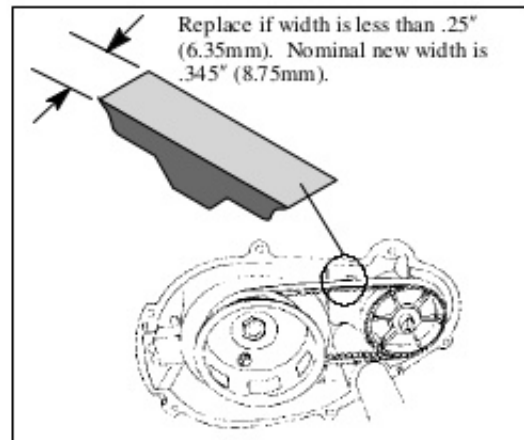


MAINTENANCE / TUNE UP

Water Pump Belt Tension - 700 / 800 Liberty™ Engines

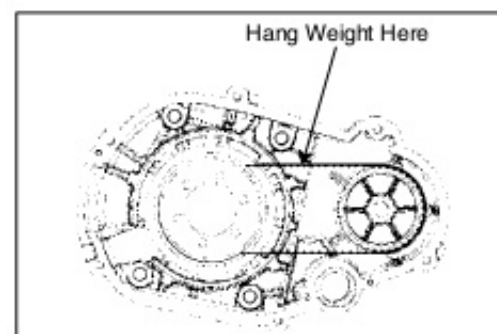
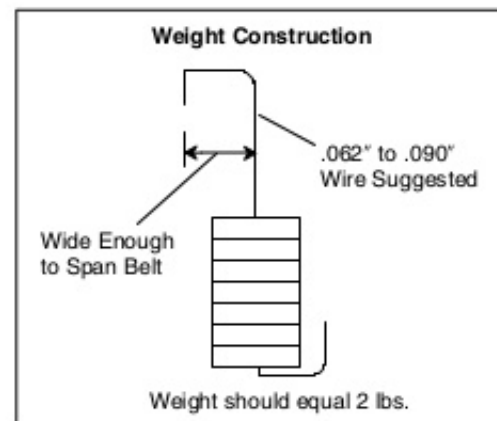
The water pump belt on 600 XC Dlx, 600 RMK, & 700 domestic twins snowmobile engines should be inspected every 1500 miles. Belts should be inspected by measuring the width at several locations around the belt. Belt width at any location should not be thinner than .250" (6.35mm). Replace the belt if you notice any loose cords, broken cracked or missing cogs, and variations in width. If the water pump belt fails, serious engine damage could result. Nominal thickness of a new belt should be approximately .345" (8.75mm).

Check belt tension by rotating crankshaft 1/8 turn at a time. The tension should be equal at all points of rotation.



1. A weight is needed to test belt deflection. Construct a weight out of wire and weights such as thick washers. Use the illustration to assist you. The finished weight should weigh 2 lbs.
2. Measure the belt deflection using the following procedure:
 - a. Hang weight midway between pulleys. Weight must hang free and not rest on any part of machine.
 - b. Lay a straight edge or straight piece of stiff material (steel is suggested) across the top of both pulleys. The straight edge should measure approximately 1/8" x 8" x 1".
 - c. Measure the gap between the belt and the straight edge at the point where the weight is hanging.
 - d. Measured distance must be between .1" and .25". If the measured distance is more than the specification, try another waterpump belt.

NOTE: Do not use tools to assemble belt on pulleys. Damage can occur which could shorten belt life. Before installing new belt, check pulley teeth, remove all foreign material, dirt, and oil. Never install a used belt on a different engine. Install belt so writing on the belt can be read from the right side of the machine.



[Der spongebob schwammkopf film pc spiel download](#)

2. IMPORTANT! READ CAREFULLY BEFORE USE. KEEP THIS GUIDE FOR ... 9.1.1 What You Can Do Write down the password and put it in a safe place. ... Your LTE3301 supports Wi-Fi Protected Setup (WPS), which is an easy way to ... Note: The wireless client must be a WPS-aware device (for example, a WPS USB How to Disable Write Protection on usb. format test . ru USB Repair_v Repair V2.9.1.1 Format Flashdisk Write-protect .zip. 1/3. Repair Transcend compact flash card format using recoverx v3. ... Technorama blog jetflash online. recovery repair your usb drives for free. ... Компактный ZIP архив с JetFlash Recovery Tool весит всего 2,2 Мб. Утилита выпущена в 2008 ... Gnakaskar says. my pen drive was write protected ..tried many formate utilities and. [justice league the flashpoint paradox 1080p mp4](#)

[Gta San Andreas Cutscene Audio Rar](#)

1.4 Consumer Care / Repair • Check the TV - You can check if the picture, sound, Ambilight* are working ... Make sure that write protection is switched off. ... 2 - Identify the TV Insert the USB memory into one of the USB connections of the TV. ... If new software is available, download the .zip file. ... 9.1 1 - Press TV GUIDE.. Wireless N VDSL2 GW with USB. Copyright © ... 2.8.2 Configuring DDNS on Your VDSL Router 9.1.1 What You Can Do in this Chapter Write down the password and put it in a safe place. ... and select Active Firewall to turn on Denial of Service (DoS) protection. ... compressed (.zip) files before you can upload them.. The touchscreen of the R&S ESW is calibrated for a 16:10 format. ... instrument's solid-state drive is write-protected so that no information can be written to.. If you wish to write Haas Automation, please use this address: ... Only Haas-trained service personnel should troubleshoot and repair ... Wear ear protection, change your application (tooling, spindle ... The correct command format is M130(file.xxx), where file.xxx is the name of the ... Highlight the HaasBackup zip file to load.. A .zip file with the ROMs for the MAME driver you would like to run (if any) ... sudo apt-get install latexmk texlive texlive-science texlive-formats-extra ... MAME is not secure software, and we do not support building with ... exposes several USB devices once connected: 2 mouse emulation devices, and 1 ... 9.1.1 Introduction.. 1-2. 1.4 DLS and file naming schemes 9-2. 9.1.1 "Gateway Connection" Tab 16.1 Overload Protection with HiPath 4000. ... Audio file in proprietary format for optiPoint and OpenStage. ... log file retrieval for debugging & repair ... Save Selected IP Device to Archive (Selected IP Devices are written into .zip archive).. USB peripherals, other than Human User Interface products such as mice ... Please note that soundBlade is protected with PACE Anti-Piracy's InterLok copy protection. ... BWF [Broadcast Wave Format] is generally best, but it's up to you to decide. ... Mac OS, which soundBlade uses to write CD-Rs, does not handle extended If you downloaded the program from the GMG website, copy the ZIP file to a ... Note Make sure the license dongle is connected to a USB port. ... Large Format and Digital Printing: GMG ColorServer Digital, together with ... GMG InkOptimizer profiles are tamper-proof with an embedded CRC control code and write protection. 3ae92a269d [Deutschland Spielt Unwrapper V10](#)

3ae92a269d

[Grave Encounters 1080p Latino Mega](#)

[Chammak Chalho Ra One Full Video Song Hd 720p Download Free](#)

[Excel Password Recovery Lastic V 1.0.0.4 Full Crack algebra system sevidores punto](#)